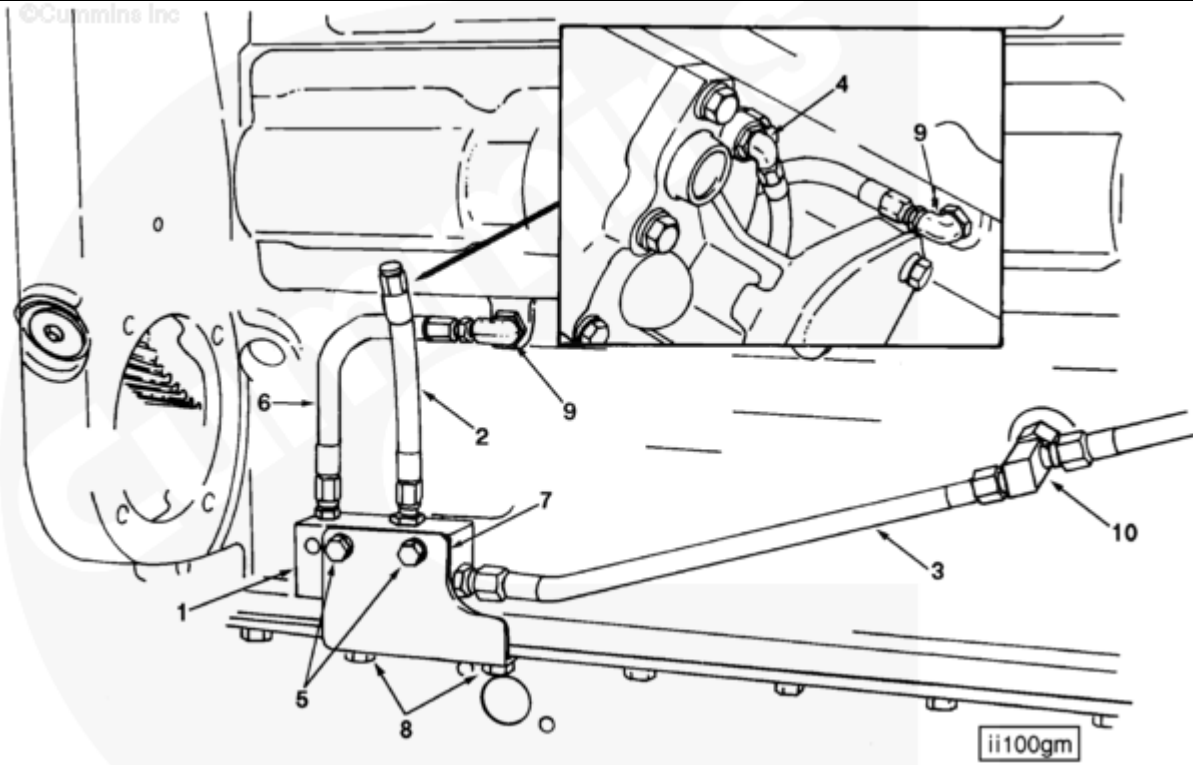




Parts Catalog - Option Detail

Electronic Parts Catalog - Option Detail				
Option	Group	Graphic	Film Card	Date
PP10166	06.01.4	ii100gm	FF	25-AUG-00
Engines	G855, G855 CM558, GTA855 CM558 (CM2358) G101, N14 CELECT, N14 CELECT PLUS, N14 MECHANICAL, NH/NT 855, QSM11 CM876 M101, QSM11 CM876 M102M, QSN14 CM876 N103, QSN14 CM876 N105, QSNT14 CM876 N102			



[SMALL](#) | [MEDIUM](#) | [LARGE](#)

Cart	Ref No	Part Number	Part Description	Required	Remarks
View My Cart					
		PP10166	Viscosity Sensor		
<input type="checkbox"/>	1	3066463	Viscosity Sensor	1	Fuel.
<input type="checkbox"/>	2	AK 4005 60SS		1	
<input type="checkbox"/>	3	AK 6013 20SS		1	
<input type="checkbox"/>	4	3037662	Male Union Elbow	1	
<input type="checkbox"/>	5	3052675	Captive Washer Cap Screw	2	5/16 - 18 x 15/16 inch
<input type="checkbox"/>	6	3065134	Flexible Hose	1	

<input type="checkbox"/>	7	3065135	Valve Bracket	1	
<input type="checkbox"/>	8	3065177	Captive Washer Cap Screw	2	7/16 - 20 X 1 3/8 in.
<input type="checkbox"/>	9	3067503	Male Union Elbow	1	
<input type="checkbox"/>	10	3069112	Male Union Tee	1	

© 2019 Cummins Inc., Box 3005, Columbus, IN 47202-3005 U.S.A.
Terms of Use and Disclaimers | Recommended System Requirements
Need Assistance? Please click on the Contact Us button in the top right corner of any page.